

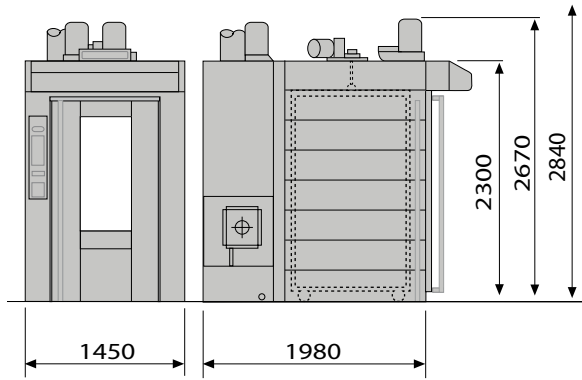
# ROTO AVANT



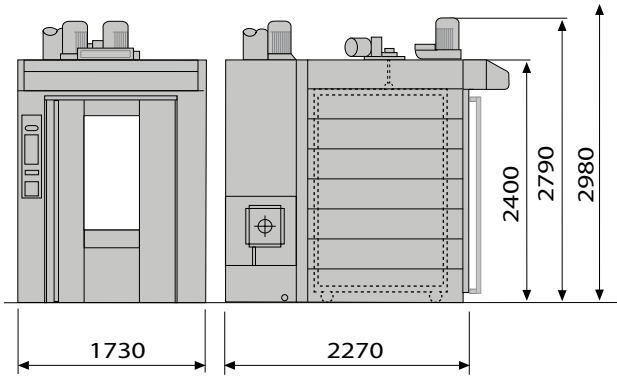
- Modular steam generator, with cascade elements with spheres
- Steamers with automatic feed
- Hood with potentiated exhaust fan
- Door with double glass and double closing
- Heat exchanger with armored heating elements (SE)
- Standard rotation device with hook
- Electric board with extended cables to hang it on oven's sides
- Oven with burner on the right is available (optional)(Excluded 80120)
- Preset for automatic lifting group by lever (optional) (Excluded 80120)

Power inlet	400/3N~/50
Fume exhaust	Diameter 200 mm
Steam exhaust	Diameter 250 mm

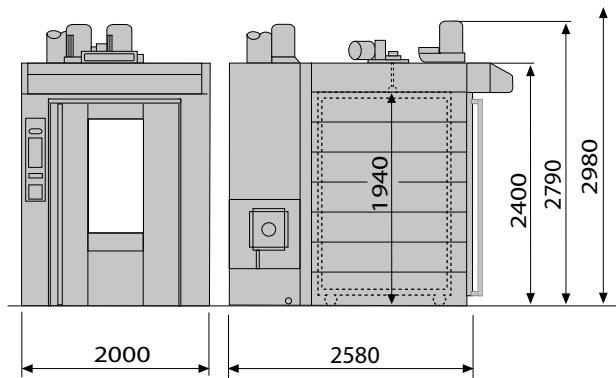
### ROTO AVANT HR 6080



### ROTO AVANT HR 80100



### ROTO AVANT HR 80120



	Pan capacity	Pan size	Minimum door width	Weight	Voltage	SC version		SE version	
						kW	kcal/h	Standard	Potentiated
	n°	passo	mm	mm	kg			kW	kW
<b>ROTO AVANT HR 6080</b>	16	105	600x800	500	1450 SC	2,0	60.000	48,8	58,5
	18	93	2x600x400		1400 SE				
<b>ROTO AVANT HR 80100</b>	16	105	800x1000	840	1900 SC	2,5	80.000	63,0	-
	18	93			1850 SE				
<b>ROTO AVANT HR 80120</b>	16	105	800x1200	800	2220 SC	2,8	95.000	81,0	-
	18	93			2150 SE				